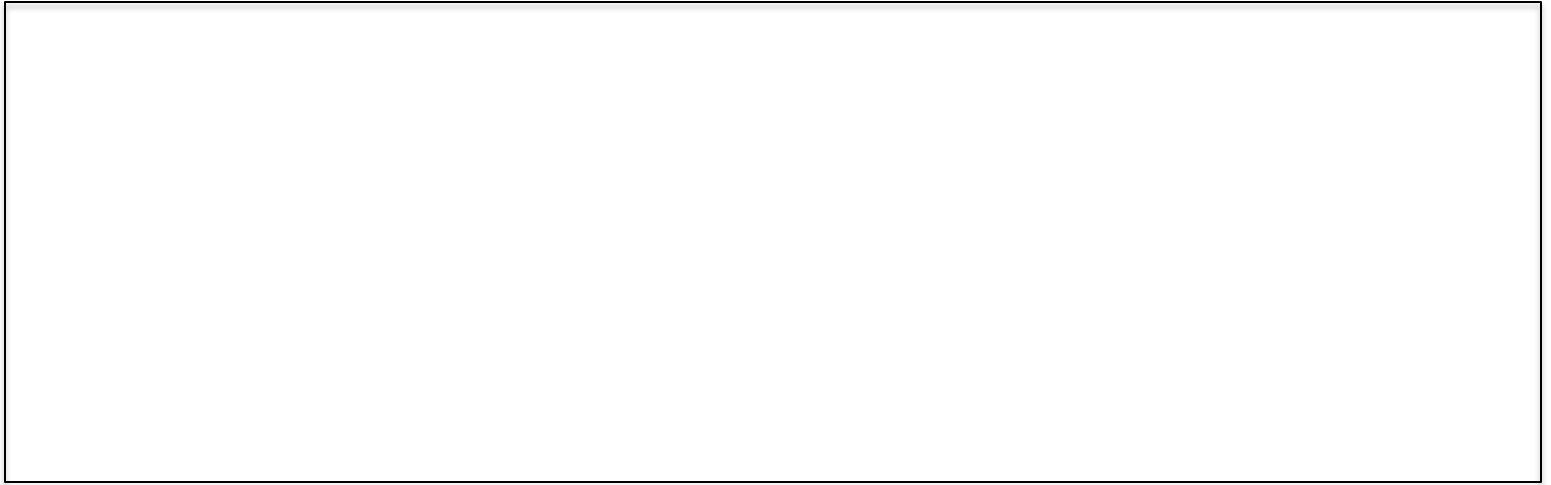


Name: _____ Period: _____

Handout 11, Lesson 5: Earth's Layers

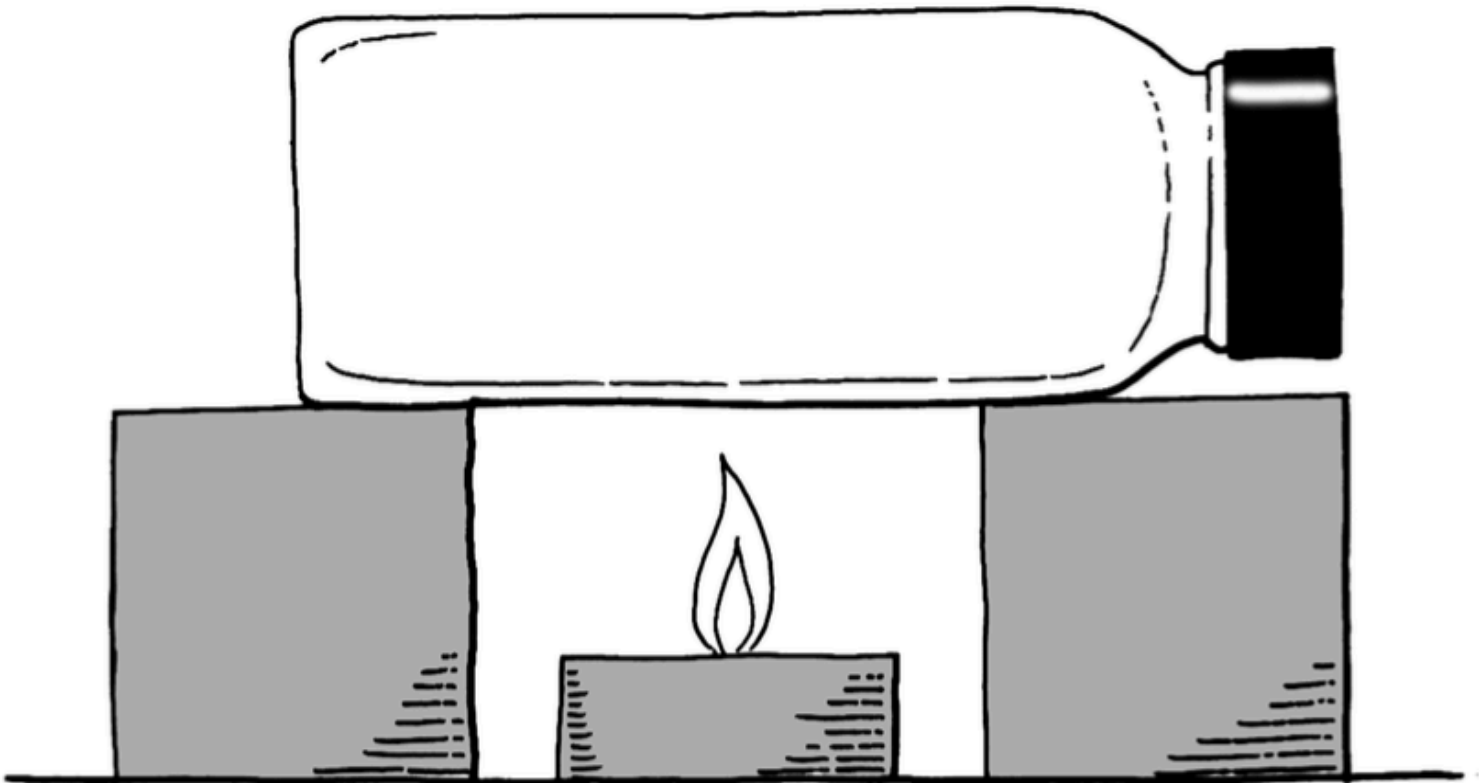
Intro Demo: *Does the type of material affect how energy is transferred?*

After watching your teacher's demo, sketch and label the waves below.



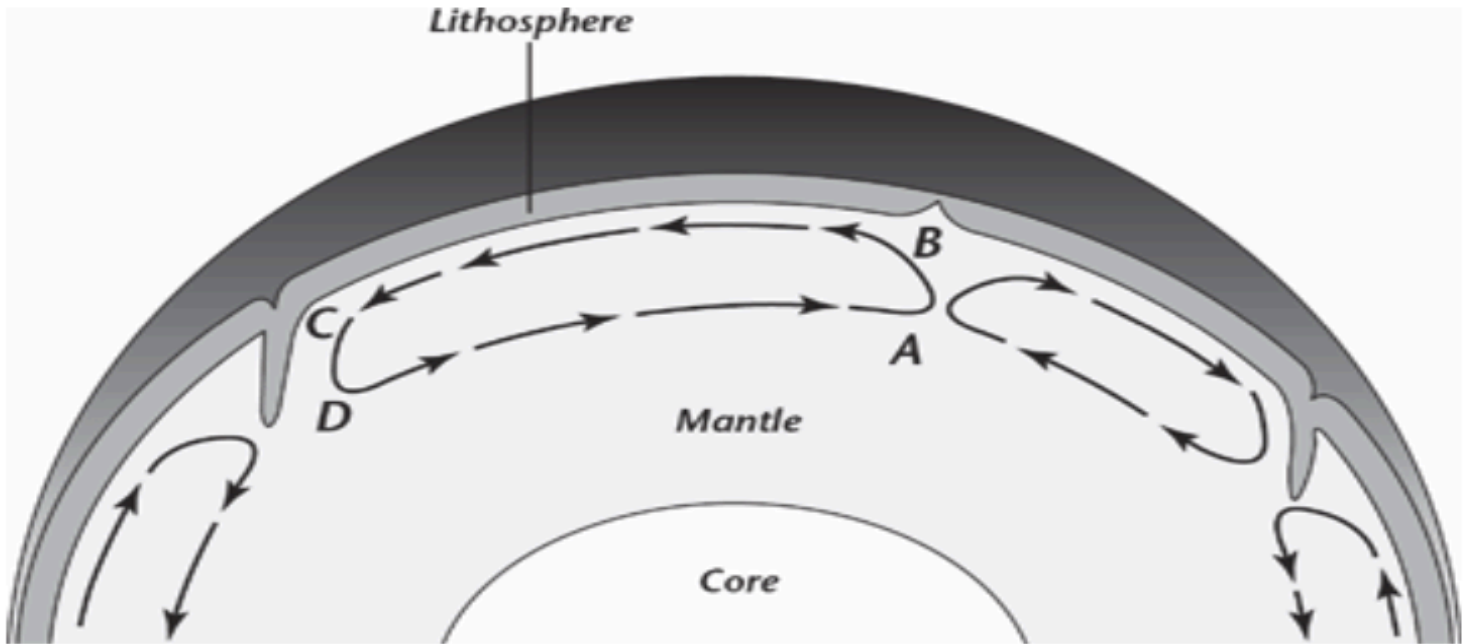
Convection Station: *How is thermal energy transferred through the mantle?*

Part 1: Draw arrows on the diagram to show the movement of the fluid in the jar. Add labels to show where the fluid is warmer and cooler.



See next page for *Part 2*.

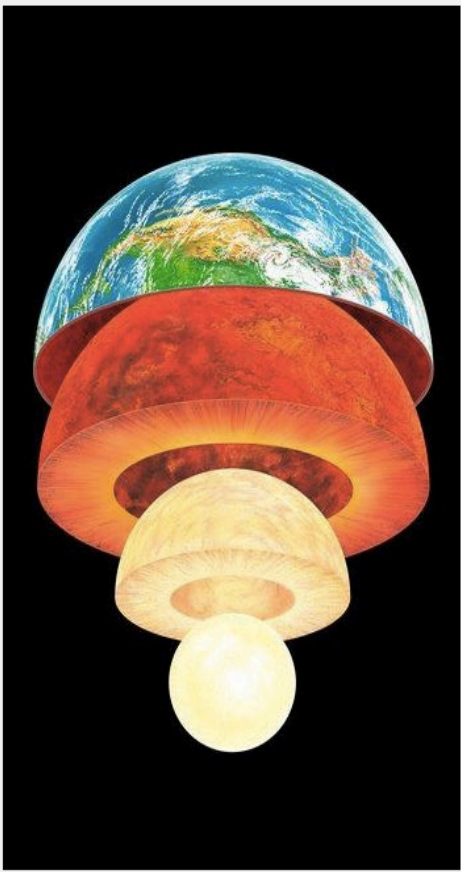
Part 2: Compare your bottle model to the diagram below. What part of your model represents the mantle? The crust? The core? Add the following labels to the bottle diagram: **Mantle**, **Core**, **Crust**



Materials Station: How do the layers of the earth behave?

Material Chosen:

Reasoning:



Continental Crust =

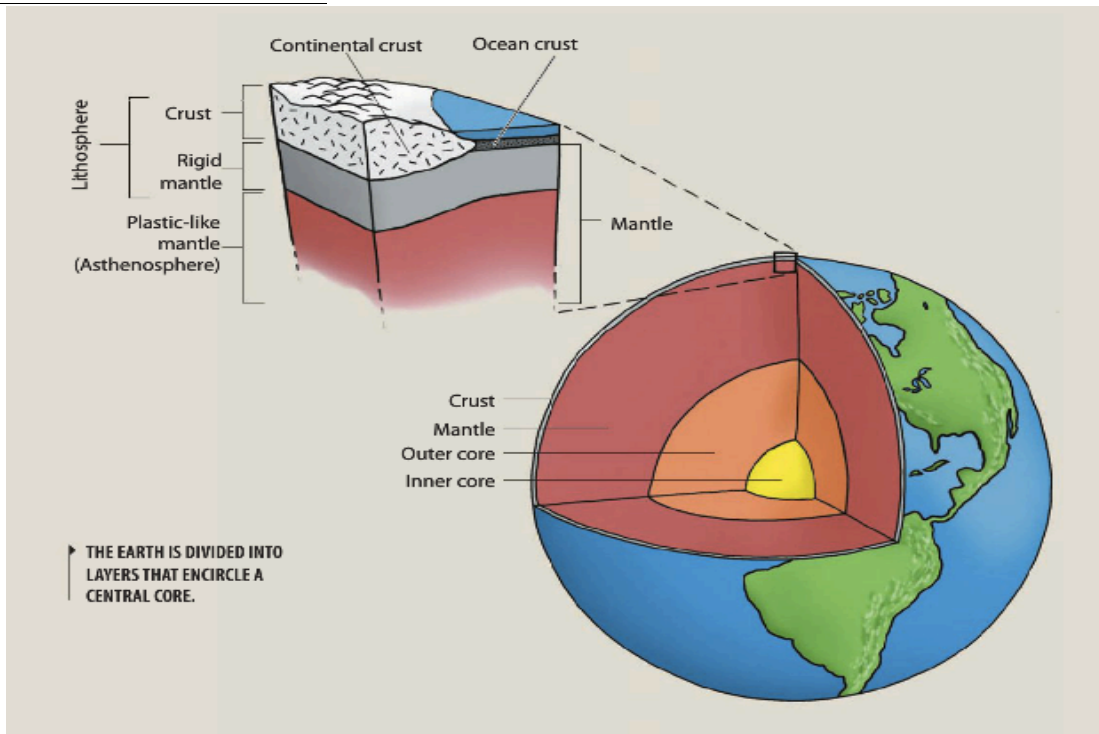
Oceanic Crust =

Mantle =

Outer Core =

Inner Core =

Materials Station – Extension #1:

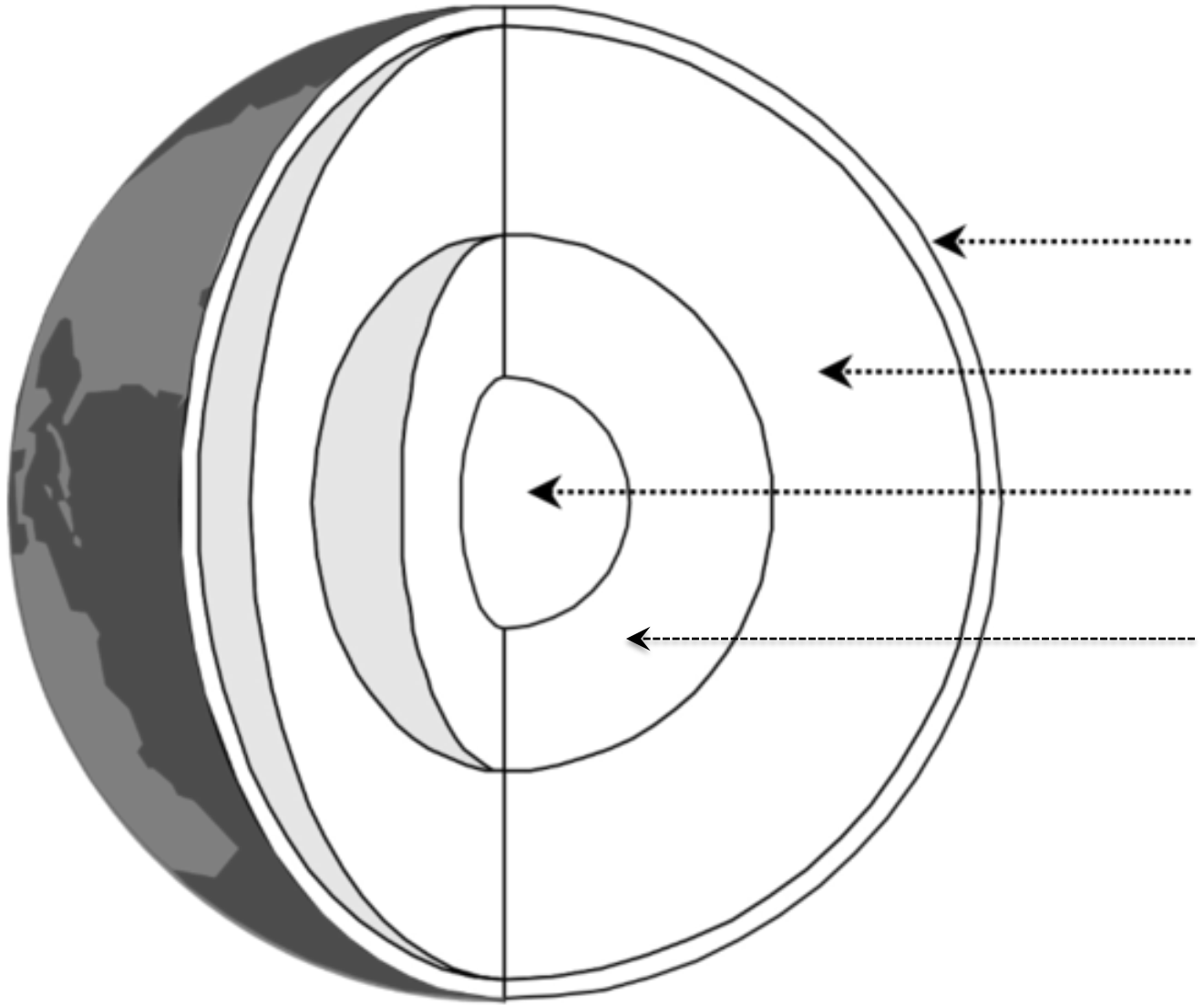


Your model object: _____

COMPARE your model to the layers of the earth.

CONTRAST your model to the layers of the earth.

Materials Station - Extension #2:



How are the layers of the earth SIMILAR to each other?

How are the layers of the earth DIFFERENT from each other?